



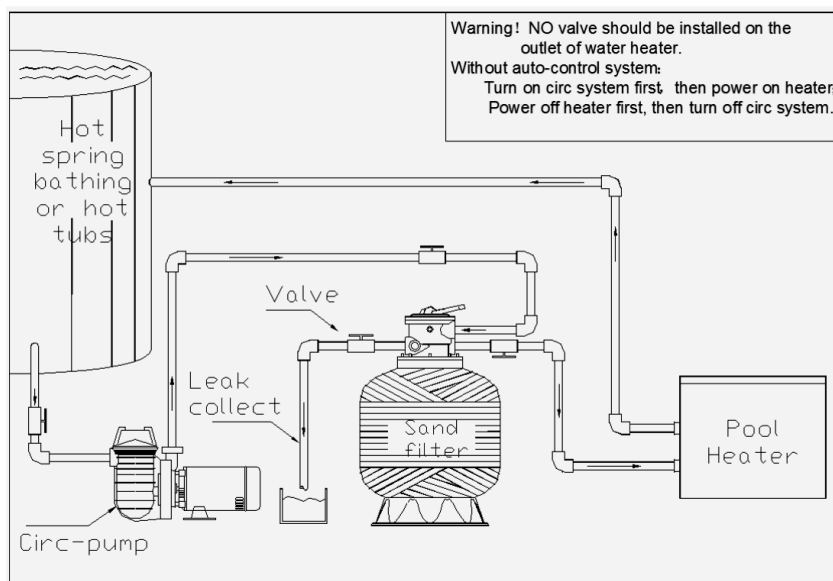
SPA / POOL HEATER



THERMIC-SPA/POOL HEATER



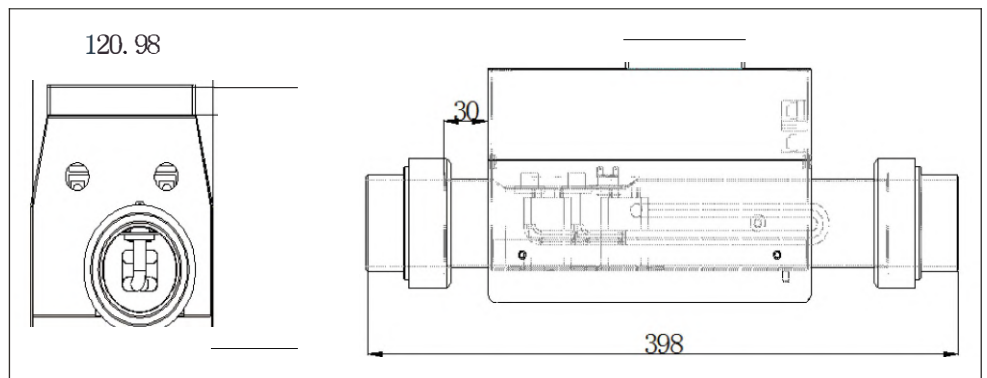
The THERMIC pool heater is from 2KW to 60KW, and we could also customize the pool heater up to 270KW according to client request.



TPH-CT SERIES HEATER



Dimension chart



The TPH-CT series pool heater equips with waterproof touch button digital controller, and integrated control system for circulating pump, so client does not need to install separate control devices for circulation pump, which significantly simplifies the installation and operation of the circulation system. It also greatly save the money and guarantee the safe operation of pool heater. Suitable for family massage bathtubs and SPA hot tub.

Technical data

Model	Power(KW)	Voltage (50/60Hz)	Current(A)	Power cord(N*mm ²)	Pipe diameter(inch)	Wire(mm ²)
TPH-CT-2	2	220	9	1	1 1/2"	3×2.5
TPH-CT-3	3	220	14	1	1 1/2"	3×4

Note: Maximum Power of the circulation pump: 1.5HP/50~60HZ/220-240V, single phase

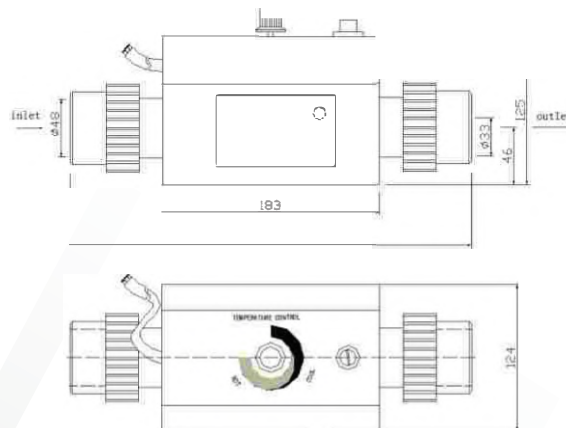
TPH-B SERIES HEATER



Technical data

Model	Power(KW)	Voltage	Current(A)	Phase(-)	diameter(inch)	Wire(mm ²)
TPH-B-M2	2	220	9	1	1 1/2"	3×2.5
TPH-B-M3	3	220	14	1	1 1/2"	3×4

Dimension chart

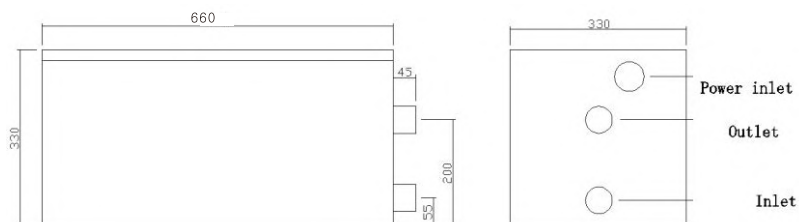


TPH-C SERIES HEATER

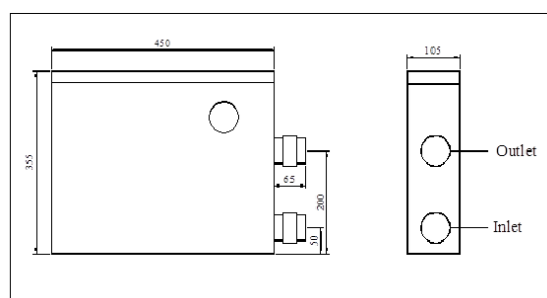


- Waterproof touch button digital controller
- Patented Flow-Temp technology to replace traditional mechanical flow switch, so as to avoid major problems of pool heater caused by the flow switch and save costs
- Intelligent self-diagnose function which monitoring the system operation all time to provide instant error reaction and hint message, so as to avoid damage and easy for maintenance
- SS316 grade stainless steel heating elements which is better against corrosion
- Start by segment to reduce impact to the electricity system

Dimension chart



PHS Series Heater



ST Series Heater

C-ST, C-PHS series pool heater with circulation pump control, and optional control to air pump and massage pump.

ST /PHS series pool heater could be upgraded to CST /CPHS pool heater which integrated control system for circulating pump, so client does not need to install separate control devices for circulation pump, which significantly simplifies the installation and operation of the circulation system. It also greatly save the money and guarantee the safe operation of pool heater. Suitable for swimming pool .

Technical data

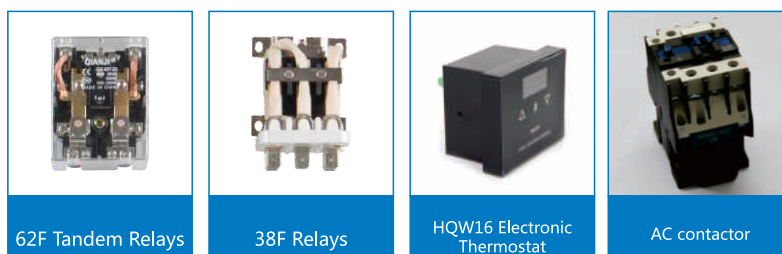
Model	Power(KW)	Voltage (50/60Hz)	Current(A)	Power cord(N*mm2)	Pipe diameter(inch)	Outline size(mm)
TPH(C)ST-5.5	5.5	220-240V ~	25	3*6.0	1 1/2"	450*105*355
		380-415V 3N~	9	5*2.5		
TPH(C)ST-7.5	7.5	220-240V ~	34	3*6.0		
		380-415V 3N~	12	5*2.5		
TPH(C)ST-9.0	9.0	220-240V ~	41	3*10		
		380-415V 3N~	14	5*6.0		
TPH(C)ST-11	11	220-240V ~	50	3*10		
		380-415V 3N~	17	5*4.0		
TPH(C)ST-15	15	220-240V ~	68	3*16		
		380-415V 3N~	23	5*6.0		
TPH(C)ST-18	18	380-415V 3N~	28	5*6.0		
TPH(C)PHS-18	18	380-415V 3N~	28	5*6.0		
TPH(C)PHS-21	21	380-415V 3N~	32	5*6.0		
TPH(C)PHS-24	24	380-415V 3N~	37	5*10		
TPH(C)PHS-30	30	380-415V 3N~	46	5*10		
TPH(C)PHS-36	36	380-415V 3N~	55	5*16	2"	660*330*330
TPH(C)PHS-42	42	380-415V 3N~	64	5*16		
TPH(C)PHS-45	45	380-415V 3N~	68	5*16		
TPH(C)PHS-48	48	380-415V 3N~	73	5*25		
TPH(C)PHS-54	54	380-415V 3N~	82	5*25		

Note: Maximum Power of the circulation pump: (<3HP/50~60HZ/220-415V, single or three phase)

HEATER FITTINGS



Heating Element



Heating Element





THERMIC

THERMIC HEAT TRANSFER PTY LTD
140 COURTENAY AVE, CRANBOURNE NORTH VIC 3977, AUSTRALIA

www.thermic-heattransfer.com.au