



ELECTRIC SAUNA

HEATER SERIES



www.thermic-heattransfer.com.au

THERMIC ELECTRIC SAUNA HEATER SERIES



TES series electric sauna heater has UL certified electric heating tube, unique electric heating tube sectional heating, reducing energy consumption and effectively extending the life of electric heating tube. At the same time, it has a high temperature overheat protection system, digital temperature control, unique business model, a larger stone capacity and a unique simulation flame.

Technical data

Model	Power KW	supply 50/60Hz	Current A	Power wire (copper)N*mm ²	Dimensions cm	Packing size cm	Gross weight kg
TES45	4.5	220-240V~	20.5	3*4.0	34*34*93	45*36*77	18.2
		380-415V~	6.8	5*2.5			
TES60	6.0	220-240V~	27.3	3*6			
		380-415V~	9.1	5*2.5			
TES90	9.0	220-240V~	40.9	3*10			
		380-415V~	13.6	5*6.0			

TLD SERIES ELECTRIC SAUNA HEATER



TLD series electric sauna heater has UL certified electric heating tube, unique electric heating tube sectional heating, reducing energy consumption and effectively prolonging the life of electric heating tube. At the same time, it has a high temperature overheat protection system, digital temperature control, unique business model, and a series of features such as larger stone capacity.

Technical data

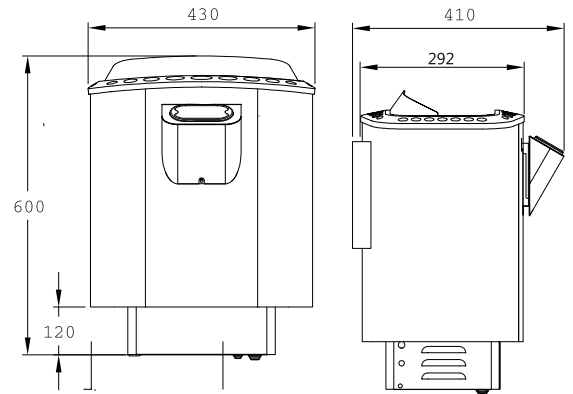
Model	Power KW	Power supply 50/60Hz	Current A	Power wire (copper)N*mm ²	Dimensions cm	Packing size cm	Gross weight kg
TLD70	7	220-240V ~	40	3*6	34*34*93	39*39*104	21
		380-415V ~	16	5*2.5			
TLD90	9	220-240V ~	60	3*10	34*34*93	39*39*104	21
		380-415V ~	16	5*6.0			

THERMIC TCA - A SERIES

TCA-A Series



Dimension chart



- Unique on-heater digital control for easy and accurate operation
- Unique chimney design provides better circulation , fast heat-up and save energy.
- Unique segment-heating function, prolong life of heating elements and save energy
- Multiple safety protection devices
- UL certified heating elements
- Large rock chamber to reserve more heat
- CE certified product

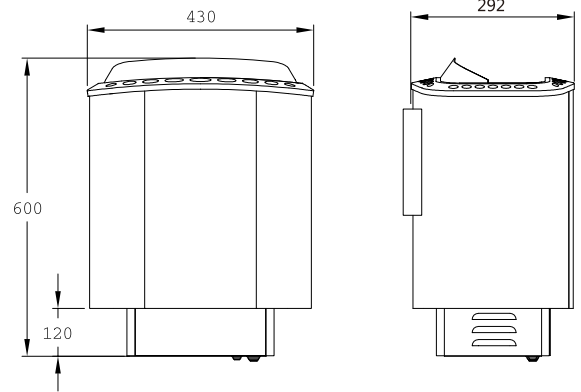
Technical data

Model	Power KW	Power supply 50/60Hz	Current A	Power wire (copper)N*mm ²	Dimension cm	Packing size cm	Gross weight kg
TCA-30A	3.0	220-240V ~	13.6	3*2.5	43*29.2*60	52*33*67	18
		380-415V3N ~	4.6	5*2.5			
TCA-45A	4.5	220-240~	20.5	3*4.0			
		380-415V3N~	6.8	5*2.5			
TCA-60A	6.0	220-240V ~	27.3	3*6.0			
		380-415V3N ~	9.1	5*2.5			
TCA-90A	9.0	220-240V ~	40.9	3*10.0			
		380-415V3N ~	13.6	5*6.0			

THERMIC TCA - C SERIES



Dimension chart



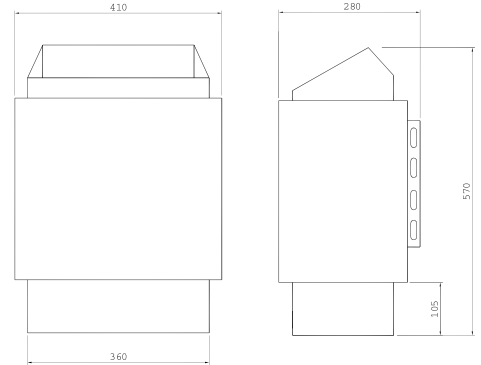
TCA-C series sauna heater carry the same design as TCA-A. The digital control panel CON6 is separated from the sauna heater and comes with dedicated power box for easy installation and better stability. Sauna room fan and light control buttons.

Technical data

Model	Power KW	Power supply 50/60Hz	Current A	Power wire (copper)N*mm ²	Dimension cm	Packing size cm	Gross weight kg
TCA-30C	3.0	220-240V ~	13.6	3*2.5	43*29.2*60	52*33*67	21
		380-415V3N ~	4.6	5*2.5			
TCA-45C	4.5	220-240~	20.5	3*4.0			
		380-415V3N~	6.8	5*2.5			
TCA-60C	6.0	220-240V ~	27.3	3*6.0			
		380-415V3N ~	9.1	5*2.5			
TCA-90C	9.0	220-240V ~	40.9	3*10.0			
		380-415V3N ~	13.6	5*6.0			

THERMIC AMAZON TAM - MI SERIES

Dimension chart



Amazon series (TAM-MI)sauna heater is the best-seller since 1997 and we keep improving it for durability, stability,better structure design, and energy saving The AM-MI sauna heater is mature and reliable. The inner tank is made of high temperature resistant galvanized sheet, and external shell is made of galvanized sheet with luoro carbon coating, so it will prevent deformation under high temperature and is also rust-resistant. The special heater cover will enhance the structure strength against deformation under high temperature Customer could choose the economic on-heater mechanical control or external digital control panel for advanced functions and accurate-operation. Please refer to the following "control panel"selection CE certified product

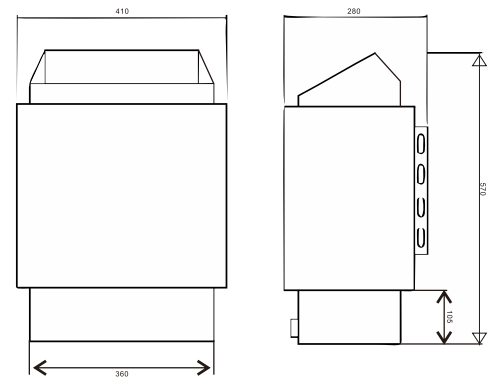
Technical data

Model	Power KW	Power supply 50/60Hz	Current A	Power wire (copper)N*mm ²	Dimension cm	Packing size cm	Gross weight kg
TAM45MI	4.5	220-240~	20.5	3*4.0	41*28*57	41.5*28.5*59.5	11-12.5
		380-415V3N~	6.8	5*2.5			
TAM60MI	6.0	220-240V~	27.3	3*6.0			
		380-415V3N~	9.1	5*2.5			
TAM80MI	8.0	220-240V~	36.4	3*10.0			
		380-415V3N~	12.1	5*4.0			
TAM90MI	9.0	220-240V~	40.9	3*10.0			
		380-415V3N~	13.6	5*6.0			

TAM-MI-C ECONOMIC SAUNA HEATER



Dimension chart



TAM-MI-C series is the economic version of TAM-MI series sauna heater with 430 stainless steel casing. It keeps similar function and construction to TAM-MI series and with lower costs, suitable for customer With specific budget, CON4 digital controller is available.

Technical data

Model	Power kW	Power supply 50/60Hz	Current A	Power wire (copper)N*mm ²	Dimension cm	Packing size cm	Gross weight kg
TAM45MI-C	4.5	220-240V ~	20.5	3*2.5	41*28*57	41.5*28.5*59.5	11-12.5
		380-415V3N ~	6.8	5*2.5			
TAM60MI-C	6.0	220-240V ~	27.3	3*6.0			
		380-415V3N ~	9.1	5*2.5			
TAM80MI-C	8.0	220-240V ~	36.4	3*10.0			
		380-415V3N ~	12.1	5*4.0			
TAM90MI-C	9.0	220-240V ~	40.9	3*10.0			
		380-415V3N ~	13.5	5*6.0			

TAM-A SERIES



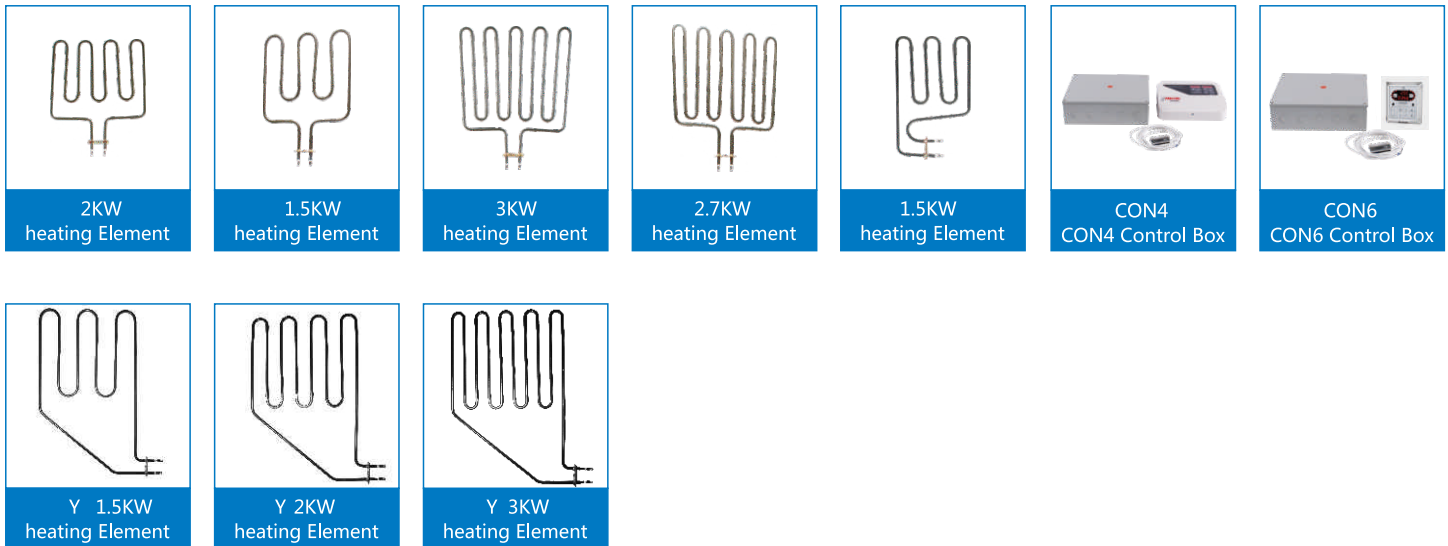
TAM-A series sauna heater is mini type suitable for constrained-space projects, such as small residential sauna room or infrared sauna room use. Client could choose the economic mechanic control knob or digital controller CON4.

Technical data



Model	Power KW	Power supply 50/60 Hz	Current A	Power wire (copper)N*mm ²	Dimension cm	Packing size cm	Gross weight kg
TAM30A	3.0	220-240V ~	13.6	3*2.5	30.5*20.5*48	31.5*22*50	7.3
TAM45A	4.5	220-240V ~	20.5	3*4.0	30.5*24.5*48	32.3*27.5*50.5	8.7
		380-415V3N ~	6.8	5*2.5			

SAUNA HEATER FITTINGS

Sauna Heater Fittings



Technical data

Product	Model	Name	Size(mm)	Applicable input	Remark
	CON4	Digital type out-controller sauna heater	250×220×80	3-9(KW)	Digital display
				10.5-15(KW)	
				(18-25 KW 18-25 (KW) Is equipped with contactor box	
	CON6	Con6 CON 6 luxury digital sauna controller	122*102*20	3-9(KW) 10-25(KW) 3-9KW 10-25KW is equipped with control box	Digital display, wall-mounted digital control, outer controller



THERMIC

THERMIC HEAT TRANSFER PTY LTD
140 COURTENAY AVE, CRANBOURNE NORTH VIC 3977, AUSTRALIA

www.thermic-heattransfer.com.au